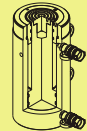


RSR Series



Capacity:
10-520 ton

Stroke:
57-1219 mm

Maximum Operating Pressure:
700 bar

RSR 液壓雙動千斤頂

- 雙動設計，適用於推力及拉力之應用。
- 安全閥設計防止超壓損壞。
- 液壓缸外螺牙、主軸螺牙及底座螺孔便於固定。(詳見規範)
- 主軸硬鉻處理耐磨、防蝕。
- 防塵環設計可保護活塞及內徑避免污染。
- 上螺帽保護主軸超揚昇。
- 表面粉體塗裝美觀抗腐蝕、防銹。
- 各型號均含SQB-3/8UF快速接頭及防塵蓋。

*RSR系列千斤頂適用於橋樑起重、建築物改造、造船、公用設施和採礦設備維修。
*需具同時荷重又能較精準控制壓力使用時，RSR系列是最好的選擇。

Double-Acting Cylinders

- ※Double-acting design allows for both pull and push forces
- ※Relief valves protect against over pressurizing.
- ※Collar threads, plunger threads and base mounting holes for easy fixturing. (See chart)
- ※Hard chrome plated plunger resists wear and corrosion.
- ※Wiper rings protect the piston and bore from contamination.
- ※Stop ring for piston blow-out protection.
- ※Powder coat finish for increased corrosion resistance and antirust.
- ※Come with SQB-3/8UF female coupler & dust cap.
- ※RSR series cylinders are perfect for bridge lifting, building reconstruction, shipyard, utility and mining equipment maintenance.
- ※As need power and precise positioning of heavy loads, RSR series are the best solution.



| 選配傾斜墊塊尺寸 | | | | | |
|---------------------------------------|---------------------------------------|--|----|----|----|
| Optional Tilt Saddle Dimensions (mm) | | | | | |
| Cylinder Model/Cap. 油壓缸 型號 / 能力 (ton) | Model Number Type : Tilt 型號 樣式 : 傾斜墊塊 | | A | B | C |
| | | | | | |
| RSR-308、3014 | XKCAT-50 | | 50 | 21 | 35 |
| RSR-506、5013、5020、756、7513 | XKCAT-100 | | 71 | 24 | — |

RSR - 系列，75噸以上千斤頂具主軸內牙供安裝 XKCAT-系列傾斜墊塊。
RSR - Series up to 75 tons have plunger thread for installation of XKCAT-Series tilt saddles.

| 提把型式 Handle type | |
|--------------------------------|--|
| (S) : 標準配件 standard equipped | |
| (O) : 選配 option | |
| ● 焊提把 Weldable | |
| ★ 吊環螺柱 Eyebolt | |
| ▲ 活動提把 Removable strap handles | |
| ■ 螺牙式活動提把 Thread | |

| | |
|--|------------------------------|
| | 焊提把 Weldable |
| | 吊環螺柱 Eyebolt |
| | 活動提把 Removable strap handles |
| | 螺牙式活動提把 Thread |

| 提把型式 Handle type | 型號 Model Number | 外部尺寸 Outer Dimension | | | | | |
|------------------|-----------------|----------------------|-----------|-----------------------------|--------|---------------|--------|
| | | 能力 Cylinder Capacity | 揚程 Stroke | 最大出力 Max. Cylinder Capacity | | 本身高 Coll. Ht. | 總重 Wt. |
| | | | | 推 push | 拉 pull | | |
| (O) (S) | | ton(kN) | (mm) | (kN) | A (mm) | (kg) | |
| | RSR-1010 | 10 | 254 | 101 | 33 | 409 | 12 |
| | RSR-1012 | (101) | 305 | 101 | 33 | 457 | 14 |
| | RSR-308 | 30 | 209 | 295 | 133 | 387 | 18 |
| | RSR-3014 | (295) | 368 | 295 | 133 | 549 | 29 |
| ▲ | RSR-506 | 50 (498) | 156 | 498 | 150 | 331 | 30 |
| ▲ | RSR-5013 | | 334 | 498 | 150 | 509 | 52 |
| ▲ | RSR-5020 | | 511 | 498 | 150 | 733 | 68 |
| ▲ | RSR-756 | 75 (718) | 156 | 718 | 220 | 347 | 41 |
| ▲ | RSR-7513 | | 333 | 718 | 220 | 525 | 68 |
| ★ | RSR-1006 | 95 (933) | 168 | 933 | 435 | 357 | 61 |
| ★ | RSR-10013 | | 333 | 933 | 435 | 524 | 93 |
| ▲ | RSR-10018 | | 460 | 933 | 435 | 687 | 117 |
| ▲ | RSR-1502 | 140 (1386) | 57 | 1386 | 668 | 196 | 49 |
| ▲ | RSR-1506 | | 156 | 1386 | 668 | 385 | 93 |
| ▲ | RSR-15013 | | 333 | 1386 | 668 | 563 | 124 |
| ▲ | RSR-15032 | | 815 | 1386 | 668 | 1116 | 238 |
| ▲ | RSR-2006 | | 152 | 1995 | 1017 | 430 | 147 |
| ▲ | RSR-20013 | 200 (1995) | 330 | 1995 | 1017 | 608 | 199 |
| ▲ | RSR-20018 | | 457 | 1995 | 1017 | 765 | 232 |
| ▲ | RSR-20024 | | 610 | 1995 | 1017 | 917 | 279 |
| ▲ | RSR-20036 | | 914 | 1995 | 1017 | 1222 | 383 |
| ▲ | RSR-20048 | | 1219 | 1995 | 1017 | 1527 | 483 |
| ★ | RSR-3006 | 325 (3201) | 153 | 3201 | 1703 | 485 | 245 |
| ★ | RSR-30012 | | 305 | 3201 | 1703 | 638 | 312 |
| ★ | RSR-30018 | | 457 | 3201 | 1703 | 790 | 385 |
| ★ | RSR-30024 | | 609 | 3201 | 1703 | 943 | 469 |
| ★ | RSR-30036 | | 915 | 3201 | 1703 | 1247 | 628 |
| ★ | RSR-30048 | 1219 | 3201 | 1703 | 1552 | 780 | |
| ★ | RSR-4006 | 440 (4292) | 152 | 4292 | 2297 | 538 | 303 |
| ★ | RSR-40012 | | 305 | 4292 | 2297 | 690 | 399 |
| ★ | RSR-40018 | | 457 | 4292 | 2297 | 843 | 453 |
| ★ | RSR-40024 | | 610 | 4292 | 2297 | 995 | 597 |
| ★ | RSR-40036 | | 914 | 4292 | 2297 | 1300 | 792 |
| ★ | RSR-40048 | 1219 | 4292 | 2297 | 1605 | 980 | |
| ★ | RSR-5006 | 520 (5108) | 153 | 5108 | 2838 | 577 | 432 |
| ★ | RSR-50012 | | 305 | 5108 | 2838 | 730 | 589 |
| ★ | RSR-50018 | | 457 | 5108 | 2838 | 882 | 680 |
| ★ | RSR-50024 | | 609 | 5108 | 2838 | 1035 | 816 |
| ★ | RSR-50036 | | 915 | 5108 | 2838 | 1339 | 1002 |
| ★ | RSR-50048 | 1219 | 5108 | 2838 | 1644 | 1224 | |

墊塊/鞍座 Saddle

- RSR-系列 均配有高硬度可移除式溝槽墊塊於起重時具防滑作用。偏心起重時請選用傾斜墊塊。
- 選配之傾斜墊塊請參閱選擇對照資訊。

※ RSR-Series are equipped with hardened removable "Ribbed saddles" to prevent slippage during jacking. For off-center loading application, see optional tilting saddle. For information on optional tilt saddles, see selection chart.

液壓泵浦 Pump Selection

雙動液壓千斤頂必須搭配具 4 口閥門的液壓泵浦。
A double-acting cylinder must be powered by a pump with a 4-way valve.

CSLRG 系列 CSLRG Series

- 倘若您使用狀態並非高循環重複使用，SUN RUN建議您CSLRG是更經濟實惠的選擇。
- ※ If you do not have a high cycle application, SUN RUN CSLRG-Series may be the right alternative.

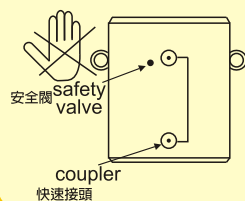


請勿調整安全閥壓力!

適用於雙動千斤頂
RSR, RSRH, CSLRG 系列
大部份的雙動千斤頂安全閥壓力設定值為 10000psi(700bar)。
超出原廠設定值時，安全閥會噴出液壓油保護千斤頂。
當安全閥發生漏油狀況時請先檢查快速接頭連接狀況。

Don't adjust safety valve pressure!

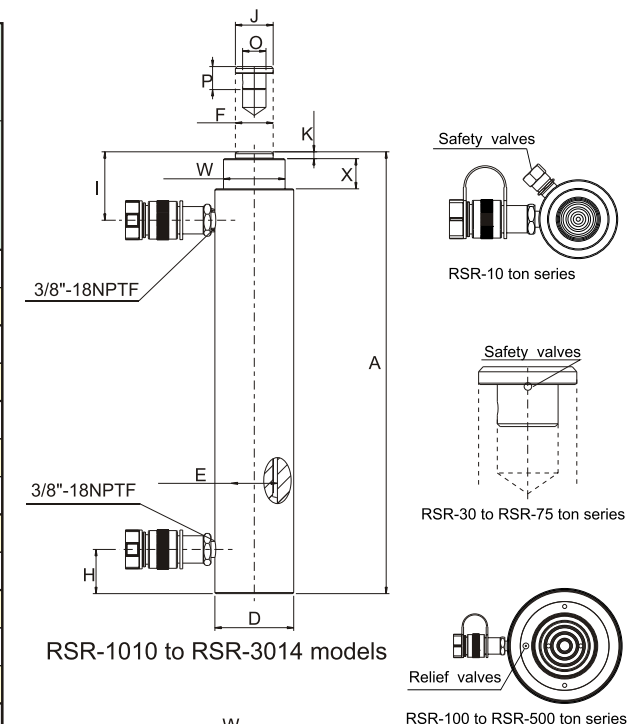
Apply to double-acting cylinder
RSR, RSRH, CSLRG series
Most double-acting cylinder safety valve pressure setting 10000psi(700bar).
As surpasses the original factory hypothesis pressure safety valve will spurt oil to protect cylinder.
Leaking from safety valve, inspect connection of coupler at first.



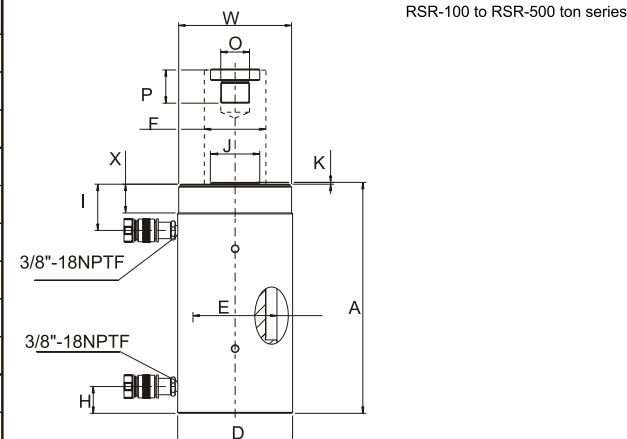
| 型號 Model Number | 外部尺寸 Outer Dimension | | | | | | | | | | | | | | | |
|-----------------------|----------------------|------------------------|-----------|----------------------------|-----------|-----------------|-----------|------------------|----------------------|------------------|-----------------------|----------------------|-----------------------------------|----------------------------------|----------------------|----------------------------------|
| | 揚程 Stroke | 最大出力 Max. Cyl. Cap. | | 受壓面積 Cylinder Eff. Area | | 總油量 Oil Cap. | | 本身高 Coll. Ht. | 伸長 總高 Ext. Ht. | 外徑 Out. Diam. | 內徑 Cyl. Bore Diam. | 主軸直徑 Plngr. Diam. | 底部前進 油孔位置 Base to Adv. Port | 頂部回油 油孔位置 Top to Ret. Port | 墊塊直徑 Saddle Diam. | 凸出高度 Saddle Protr. fr. Plngr. |
| | | 推 push | 拉 pull | 推 push | 拉 pull | 推 push | 拉 pull | | | | | | | | | |
| | | | | | | | | | | | | | | | | |
| RSR-1010 | 254 | 101 | 33 | 14.5 | 4.8 | 368 | 122 | 409 | 663 | 73 | 42.9 | 34.9 | 36 | 57 | 35 | 6 |
| RSR-1012 | 305 | 101 | 33 | 14.5 | 4.8 | 442 | 147 | 457 | 762 | 73 | 42.9 | 34.9 | 36 | 57 | 35 | 6 |
| RSR-308 | 209 | 295 | 133 | 42.1 | 19.1 | 879 | 400 | 387 | 596 | 101 | 73.2 | 54.1 | 57 | 81 | 50 | 10 |
| RSR-3014 | 368 | 295 | 133 | 42.1 | 19.1 | 1549 | 703 | 549 | 917 | 101 | 73.2 | 54.1 | 57 | 81 | 50 | 10 |
| RSR-506 | 156 | 498 | 150 | 71.2 | 21.5 | 1111 | 335 | 331 | 487 | 127 | 95.2 | 79.5 | 28 | 76 | 71 | 2 |
| RSR-5013 | 334 | 498 | 150 | 71.2 | 21.5 | 2378 | 718 | 509 | 843 | 127 | 95.2 | 79.5 | 28 | 76 | 71 | 2 |
| RSR-5020 | 511 | 498 | 150 | 71.2 | 21.5 | 3638 | 1099 | 733 | 1244 | 127 | 95.2 | 79.5 | 57 | 76 | 71 | 2 |
| RSR-756 | 156 | 718 | 220 | 102.6 | 31.4 | 1601 | 490 | 347 | 503 | 146 | 114.3 | 95.2 | 30 | 76 | 71 | 6 |
| RSR-7513 | 333 | 718 | 220 | 102.6 | 31.4 | 3417 | 1046 | 525 | 858 | 146 | 114.3 | 95.2 | 30 | 81 | 71 | 6 |
| RSR-1006 | 168 | 933 | 435 | 133.3 | 62.2 | 2238 | 1045 | 357 | 525 | 177 | 130.3 | 95.2 | 38 | 71 | 76 | 3 |
| RSR-10013 | 333 | 933 | 435 | 133.3 | 62.2 | 4439 | 2071 | 524 | 857 | 177 | 130.3 | 95.2 | 38 | 71 | 76 | 3 |
| RSR-10018 | 460 | 933 | 435 | 133.3 | 62.2 | 6132 | 2861 | 687 | 1147 | 177 | 130.3 | 95.2 | 41 | 92 | 76 | 3 |
| RSR-1502 | 57 | 1386 | 668 | 198.1 | 95.4 | 1129 | 544 | 196 | 253 | 203 | 158.8 | 114.3 | 22 | 66 | 93 | 19 |
| RSR-1506 | 156 | 1386 | 668 | 198.1 | 95.4 | 3090 | 1488 | 385 | 541 | 203 | 158.8 | 114.3 | 49 | 84 | 114 | 19 |
| RSR-15013 | 333 | 1386 | 668 | 198.1 | 95.4 | 6597 | 3177 | 563 | 897 | 203 | 158.8 | 114.3 | 49 | 84 | 114 | 19 |
| RSR-15032 | 815 | 1386 | 668 | 198.1 | 95.4 | 16145 | 7775 | 1116 | 1931 | 203 | 158.8 | 114.3 | 76 | 88 | 114 | 19 |
| RSR-2006 | 152 | 1995 | 1017 | 285.0 | 145.3 | 4332 | 2209 | 430 | 582 | 247 | 190.5 | 133.4 | 57 | 96 | 133 | 22 |
| RSR-20013 | 330 | 1995 | 1017 | 285.0 | 145.3 | 9405 | 4795 | 608 | 938 | 247 | 190.5 | 133.4 | 57 | 96 | 133 | 22 |
| RSR-20018 | 457 | 1995 | 1017 | 285.0 | 145.3 | 13025 | 6640 | 765 | 1222 | 247 | 190.5 | 133.4 | 85 | 101 | 133 | 22 |
| RSR-20024 | 610 | 1995 | 1017 | 285.0 | 145.3 | 17385 | 8863 | 917 | 1527 | 247 | 190.5 | 133.4 | 85 | 101 | 133 | 22 |
| RSR-20036 | 914 | 1995 | 1017 | 285.0 | 145.3 | 26049 | 13280 | 1222 | 2136 | 247 | 190.5 | 133.4 | 85 | 101 | 133 | 22 |
| RSR-20048 | 1219 | 1995 | 1017 | 285.0 | 145.3 | 34741 | 17712 | 1527 | 2746 | 247 | 190.5 | 133.4 | 85 | 101 | 133 | 22 |
| RSR-3006 | 153 | 3201 | 1703 | 457.3 | 243.2 | 6997 | 3721 | 485 | 638 | 320 | 241.3 | 165.1 | 88 | 114 | 165 | 28 |
| RSR-30012 | 305 | 3201 | 1703 | 457.3 | 243.2 | 13947 | 7418 | 638 | 943 | 320 | 241.3 | 165.1 | 88 | 114 | 165 | 28 |
| RSR-30018 | 457 | 3201 | 1703 | 457.3 | 243.2 | 20889 | 11114 | 790 | 1247 | 320 | 241.3 | 165.1 | 88 | 114 | 165 | 28 |
| RSR-30024 | 609 | 3201 | 1703 | 457.3 | 243.2 | 27850 | 14811 | 943 | 1552 | 320 | 241.3 | 165.1 | 88 | 114 | 165 | 28 |
| RSR-30036 | 915 | 3201 | 1703 | 457.3 | 243.2 | 41843 | 22253 | 1247 | 2162 | 320 | 241.3 | 165.1 | 88 | 114 | 165 | 28 |
| RSR-30048 | 1219 | 3201 | 1703 | 457.3 | 243.2 | 55745 | 29646 | 1552 | 2771 | 320 | 241.3 | 165.1 | 88 | 114 | 165 | 28 |
| RSR-4006 | 152 | 4292 | 2297 | 613.1 | 328.1 | 9319 | 4987 | 538 | 690 | 358 | 279.4 | 190.5 | 108 | 133 | 190 | 28 |
| RSR-40012 | 305 | 4292 | 2297 | 613.1 | 328.1 | 18700 | 10007 | 690 | 995 | 358 | 279.4 | 190.5 | 108 | 133 | 190 | 28 |
| RSR-40018 | 457 | 4292 | 2297 | 613.1 | 328.1 | 28018 | 14995 | 843 | 1300 | 358 | 279.4 | 190.5 | 108 | 133 | 190 | 28 |
| RSR-40024 | 610 | 4292 | 2297 | 613.1 | 328.1 | 37400 | 20014 | 995 | 1605 | 358 | 279.4 | 190.5 | 108 | 133 | 190 | 28 |
| RSR-40036 | 914 | 4292 | 2297 | 613.1 | 328.1 | 56037 | 29988 | 1300 | 2214 | 358 | 279.4 | 190.5 | 108 | 133 | 190 | 28 |
| RSR-40048 | 1219 | 4292 | 2297 | 613.1 | 328.1 | 74737 | 39996 | 1605 | 2824 | 358 | 279.4 | 190.5 | 108 | 133 | 190 | 28 |
| RSR-5006 | 153 | 5108 | 2838 | 729.7 | 405.4 | 11164 | 6203 | 577 | 730 | 397 | 304.8 | 203.2 | 120 | 152 | 203 | 28 |
| RSR-50012 | 305 | 5108 | 2838 | 729.7 | 405.4 | 22256 | 12365 | 730 | 1035 | 397 | 304.8 | 203.2 | 120 | 152 | 203 | 28 |
| RSR-50018 | 457 | 5108 | 2838 | 729.7 | 405.4 | 33347 | 18526 | 882 | 1339 | 397 | 304.8 | 203.2 | 120 | 152 | 203 | 28 |
| RSR-50024 | 609 | 5108 | 2838 | 729.7 | 405.4 | 44440 | 24689 | 1035 | 1644 | 397 | 304.8 | 203.2 | 120 | 152 | 203 | 28 |
| RSR-50036 | 915 | 5108 | 2838 | 729.7 | 405.4 | 66768 | 36973 | 1339 | 2254 | 397 | 304.8 | 203.2 | 120 | 152 | 203 | 28 |
| RSR-50048 | 1219 | 5108 | 2838 | 729.7 | 405.4 | 88951 | 49418 | 1644 | 2863 | 397 | 304.8 | 203.2 | 120 | 152 | 203 | 28 |

RSR-1010 and RSR-1012 : N=32mm ; RSR-308 and RSR-3014 : N=55mm

| 型號 Model Number | 牙紋尺寸 Threads Dimension | | | | 底座螺孔 Base Mounting Holes | | | | | | |
|-----------------------|---------------------------------------|-------------------------------------|--------------------------|------------------------------------|---------------------------------|----------------|-------------------------|--------|--------|--------|--------|
| | 主軸內牙 Plunger Internal Thread | 內牙深度 Plunger Thread Length | 油缸外牙 Collar Thread | 外牙長度 Collar Thread Length | 底孔孔距 Bolt Circle Diam. | 底座螺紋 Thread | 螺紋深度 Thread Depth | | | | |
| | | | | | | | | O (in) | P (mm) | W (in) | X (mm) |
| | | | | | O (in) | P (mm) | W (in) | X (mm) | U (mm) | V (in) | Z (mm) |
| RSR-1010 | 1"-8 | 25 | 2 1/4"-14 | 26 | — | — | — | | | | |
| RSR-1012 | 1"-8 | 25 | 2 1/4"-14 | 26 | — | — | — | | | | |
| RSR-308 | 1 1/2"-16 | 25 | 3 5/16"-12 | 49 | — | — | — | | | | |
| RSR-3014 | 1 1/2"-16 | 25 | 3 5/16"-12 | 49 | — | — | — | | | | |
| RSR-506 | 1"-12 | 25 | 5"-12 | 50 | — | — | — | | | | |
| RSR-5013 | 1"-12 | 25 | 5"-12 | 50 | — | — | — | | | | |
| RSR-5020 | 1"-12 | 25 | 5"-12 | 50 | 76 | 1/2"-13 | 25 | | | | |
| RSR-756 | 1"-12 | 38 | 5 3/4"-12 | 38 | — | — | — | | | | |
| RSR-7513 | 1"-12 | 38 | 5 3/4"-12 | 38 | — | — | — | | | | |
| RSR-1006 | 1 3/4"-12 | 35 | 6 7/8"-12 | 50 | 139 | 3/4"-10 | 25 | | | | |
| RSR-10013 | 1 3/4"-12 | 35 | 6 7/8"-12 | 50 | 139 | 3/4"-10 | 25 | | | | |
| RSR-10018 | 1 3/4"-12 | 35 | 6 7/8"-12 | 50 | 139 | 3/4"-10 | 25 | | | | |
| RSR-1502 | — | — | — | — | — | — | — | | | | |
| RSR-1506 | 3 3/8"-16 | 35 | 8"-12 | 60 | 158 | 3/4"-16 | 28 | | | | |
| RSR-15013 | 3 3/8"-16 | 35 | 8"-12 | 60 | 158 | 3/4"-16 | 28 | | | | |
| RSR-15032 | 3 3/8"-16 | 35 | 8"-12 | 60 | — | — | — | | | | |
| RSR-2006 | — | — | — | — | 127 | 1"-8 | 25 | | | | |
| RSR-20013 | 2 1/2"-12 | 63 | 9 3/4"-12 | 54 | 127 | 1"-8 | 25 | | | | |
| RSR-20018 | 2 1/2"-12 | 63 | 9 3/4"-12 | 54 | 127 | 1"-8 | 25 | | | | |
| RSR-20024 | 2 1/2"-12 | 63 | 9 3/4"-12 | 54 | 127 | 1"-8 | 25 | | | | |
| RSR-20036 | 2 1/2"-12 | 63 | 9 3/4"-12 | 54 | 127 | 1"-8 | 25 | | | | |
| RSR-20048 | 2 1/2"-12 | 63 | 9 3/4"-12 | 54 | 127 | 1"-8 | 25 | | | | |
| RSR-3006 | 2 1/2"-12 | 82 | 12 1/4"-12 | 58 | 158 | 1 1/4"-7 | 44 | | | | |
| RSR-30012 | 2 1/2"-12 | 82 | 12 1/4"-12 | 58 | 158 | 1 1/4"-7 | 44 | | | | |
| RSR-30018 | 2 1/2"-12 | 82 | 12 1/4"-12 | 58 | 158 | 1 1/4"-7 | 44 | | | | |
| RSR-30024 | 2 1/2"-12 | 82 | 12 1/4"-12 | 58 | 158 | 1 1/4"-7 | 44 | | | | |
| RSR-30036 | 2 1/2"-12 | 82 | 12 1/4"-12 | 58 | 158 | 1 1/4"-7 | 44 | | | | |
| RSR-30048 | 2 1/2"-12 | 82 | 12 1/4"-12 | 58 | 158 | 1 1/4"-7 | 44 | | | | |
| RSR-4006 | 3"-12 | 95 | 14 1/8"-8 | 65 | 203 | 1 1/2"-6 | 50 | | | | |
| RSR-40012 | 3"-12 | 95 | 14 1/8"-8 | 65 | 203 | 1 1/2"-6 | 50 | | | | |
| RSR-40018 | 3"-12 | 95 | 14 1/8"-8 | 65 | 203 | 1 1/2"-6 | 50 | | | | |
| RSR-40024 | 3"-12 | 95 | 14 1/8"-8 | 65 | 203 | 1 1/2"-6 | 50 | | | | |
| RSR-40036 | 3"-12 | 95 | 14 1/8"-8 | 65 | 203 | 1 1/2"-6 | 50 | | | | |
| RSR-40048 | 3"-12 | 95 | 14 1/8"-8 | 65 | 203 | 1 1/2"-6 | 50 | | | | |
| RSR-5006 | 3 1/4"-12 | 108 | 15 5/8"-8 | 79 | 203 | 1 3/4"-5 | 54 | | | | |
| RSR-50012 | 3 1/4"-12 | 108 | 15 5/8"-8 | 79 | 203 | 1 3/4"-5 | 54 | | | | |
| RSR-50018 | 3 1/4"-12 | 108 | 15 5/8"-8 | 79 | 203 | 1 3/4"-5 | 54 | | | | |
| RSR-50024 | 3 1/4"-12 | 108 | 15 5/8"-8 | 79 | 203 | 1 3/4"-5 | 54 | | | | |
| RSR-50036 | 3 1/4"-12 | 108 | 15 5/8"-8 | 79 | 203 | 1 3/4"-5 | 54 | | | | |
| RSR-50048 | 3 1/4"-12 | 108 | 15 5/8"-8 | 79 | 203 | 1 3/4"-5 | 54 | | | | |

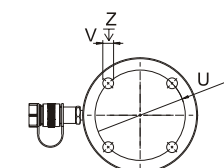


RSR-1010 to RSR-3014 models

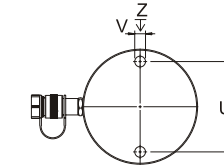


RSR-506 to RSR-50048 models

No mounting hole on
RSR-506/ 5013 /
756 / 7513 / 1502 / 15032



RSR-1006 to RSR-30048 models



RSR-5020/
RSR-4006 to RSR-50048 models