

SPE-554 電動油壓/扭力扳手泵浦

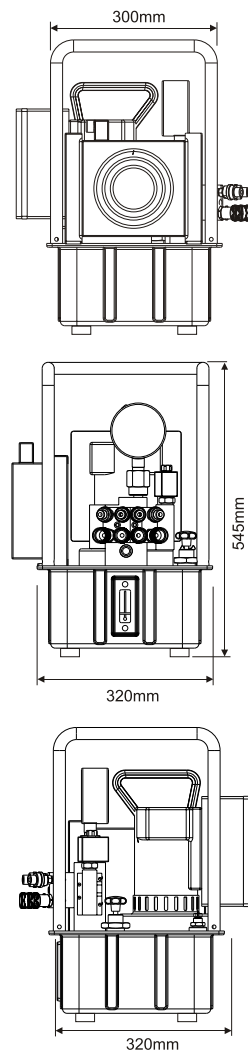
- 外部調壓。
- 內置釋放閥保護裝置。
- SPE-554TQ系列：適用於液壓扭力扳工具。
- SPE-554TQJ系列：適用於各類液壓舉升工具(參考56頁)。
- 選配八孔1/4"口徑同步分流器(含公母快速接頭及防塵蓋)，可4組扳手同步作業。
- 馬達空轉可設定20、40、60秒後自動停止並洩壓。
- 安全啟動裝置：停止後需再按啟動鈕才可使用。
- 氣冷式油溫冷卻系統。

Hydraulic Electric/Torque Wrench Pump

- ※ External adjustable pressure regulator.
- ※ Retract side internal relief valve protects tool.
- ※ SPE-554TQ series: just use with Hydraulic Torque Wrench.
- ※ SPE-554TQJ series: just use with Hydraulic lift applications.
- ※ Opt eight 1/4" ports (include female and male couplers with dust cap), that can synchronize work for 4 hydraulic wrench.
- ※ It can be set automatic stop moving as motor idle running till 20、40、60 seconds and pressure release.
- ※ Safety start: After stopping, need to press another start button to continue.
- ※ Heat Exchanger Kit: Design air cooling to avoid pump overheating and costly repair from long work periods.



SPE-554TQ



電泵型號選擇：Custom build your Electric/Torque Wrench Pump:

SPE-554TQ 1 5 1 8 2 0

- | | |
|---|--|
| 0. 樣式 TQ=扭力扳手專用 TQJ=一般舉升適用 | 0. Type TQ= just use in Torque Wrench TQJ= using in lift applications |
| 1. 電壓 1=115V 2=230V | 1. Voltage 1=115V 2=230V |
| 2. Hz 5=50Hz / 60Hz | 2. Hz 5=50Hz / 60Hz |
| 3. 相數 1=單相 | 3. Phase 1=single phase |
| 4. 油箱 (Lx0.26=gal) 8=8L(2.1gal) 20=20L(5.2gal) ★亦可依客戶訂製 | 4. Reservoir (Lx0.26=gal) 8=8L(2.1gal) 20=20L(5.2gal) ★User can order suitable reservoir. |
| 5. 多通閥(含1/4"公-母快速接頭) 1=1座及1公-1母快速接頭 2=1座及2公-2母快速接頭(標準件) 3=1座及3公-3母快速接頭 4=1座及4公-4母快速接頭 | 5. Manifold (include 1/4" male-female coupler) 1=1 manifold with 1 male and 1 female coupler 2=1 manifold with 2 male and 2 female couplers (standard) 3=1 manifold with 3 male and 3 female couplers 4=1 manifold with 4 male and 4 female couplers |
| 6. 選配 W=輪子 O=冷卻系統 G=油壓錶 | 6. Optional W=Wheel O=Cool system G=Pressure Gauge |

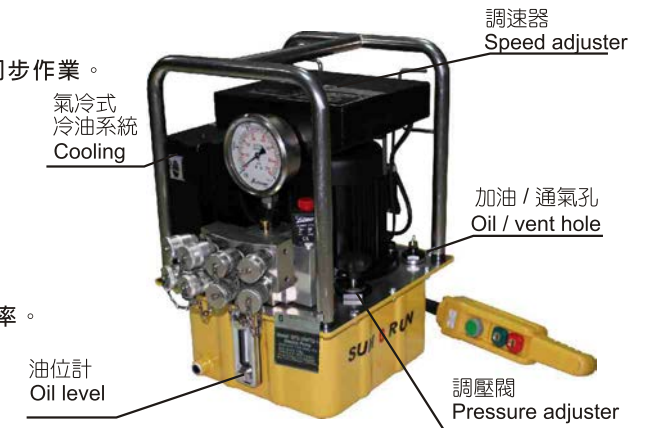
| 型號 Model Number | 轉速 Rpm | 噪音值 dBA at Idle and 700bar | 馬達 Motor kW (hp) | 安培 Amp at 700bar | 流量 Flow rate @115VAC(L/min) | | | | 油箱 Oil tank (L) | 可用油量 Usable oil (L) | 重量 Weight (with oil) (kg) |
|--------------------|-----------|-------------------------------|------------------------|----------------------|--------------------------------|----------|-----------|-----------|-----------------------|---------------------------|------------------------------------|
| | | | | | 0 (bar) | 50 (bar) | 350 (bar) | 700 (bar) | | | |
| SPE-554 | 12000 | 80 | 0.84 (1-1/8) | 25 /110V 13 /230V | 11.3 | 7.1 | 1.2 | 0.9 | 8 | 7 | 32 |

SPE-23TQ 電動油壓/扭力扳手泵浦

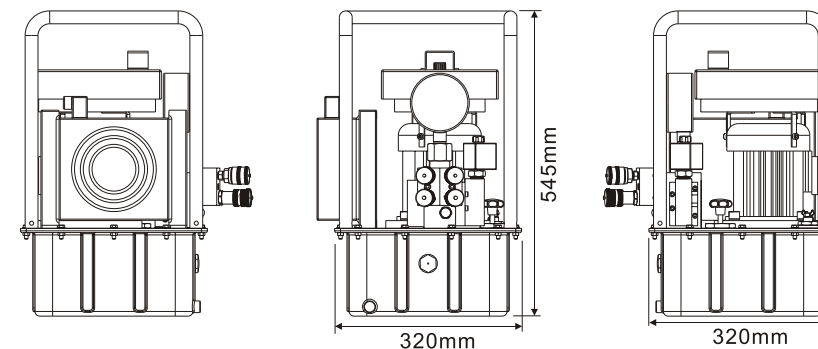
- 外部調壓及調速。
- 內置釋放閥保護裝置。
- 選配八孔1/4"口徑同步分流器(含公母快速接頭及防塵蓋)，可4組扳手同步作業。
- 馬達空轉可設定20、40、60秒後自動停止。
- 安全啟動裝置：停止後需再按啟動鈕才可使用。
- 停電時自動釋壓。
- 氣冷式油溫冷卻系統，油溫散熱效果強。
- 高效能自動切換三段式流量。
- 標準配件24V遙控器。
- 可適用於各類扳工具，尤其搭配SUN RUN油壓扳手展現最佳工作效率。
- 馬達“電機”控制，操作容易且具防錯插槽。

Hydraulic Electric/Torque Wrench Pump

- ※ External adjustable pressure regulator and speed.
- ※ Retract side internal relief valve protects tool.
- ※ Opt eight 1/4" ports (include female and male couplers with dust cap), that can synchronize work for 4 hydraulic wrench.
- ※ It can be set automatic stop moving as motor idle running till 20、40、60 seconds.
- ※ Safety start: After stopping, need to press another start button to continue.
- ※ Auto release pressure as no power.
- ※ Heat Exchanger Kit: Design air cooling to avoid pump overheating and costly repair from long work periods.
- ※ High Efficiency, Tri-speed automatic.
- ※ Standard 24V remote.
- ※ All-tool adjustability, regular ratchet tools or suit with SUN RUN hydraulic torque wrench for best performance.
- ※ Brushless motor control and prevent mistake design, more easy to work.

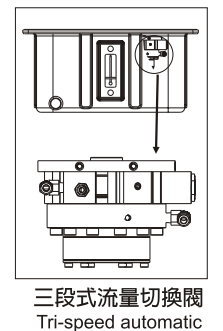


SPE-23TQ2815



調速-扭力轉換表
Speed adjuster-torque conversion chart

| 刻度值 Scale | 扭力(N.m) Torque |
|--------------|-------------------|
| 40 | 3000 |
| 50 | 5000 |
| 60 | 8000 |
| 70 | 11000 |
| 80 | 16000 |
| 90 | 28000 |
| 100 | 35000 |



電泵型號選擇：Custom build your Electric/Torque Wrench Pump:

SPE-23TQ 2 5 1 5 2 0

- | | | | |
|---------------------------|--|---|--|
| 0. 樣式 TQ=扭力扳手專用 | 0. Type TQ= just use in Torque Wrench | 4. 油箱 (Lx0.26=gal) 5=5L(1.3gal) 8=8L(2.1gal) 標準 ★亦可依客戶訂製 | 4. Reservoir (Lx0.26=gal) 5=5L(1.3gal) 8=8L(2.1gal) Standard ★User can order suitable reservoir. |
| 1. 電壓 1=110V 2=230V | 1. Voltage 1=110V 2=230V | 5. 多通閥(含1/4"公-母快速接頭) 1=1座及1公-1母快速接頭 2=1座及2公-2母快速接頭(標準件) 3=1座及3公-3母快速接頭 4=1座及4公-4母快速接頭 | 5. Manifold (include 1/4" male-female coupler) 1=1 manifold with 1 male and 1 female coupler 2=1 manifold with 2 male and 2 female couplers (standard) 3=1 manifold with 3 male and 3 female couplers 4=1 manifold with 4 male and 4 female couplers |
| 2. Hz 5=50Hz 6=60Hz | 2. Hz 5=50Hz 6=60Hz | 6. 選配 W=輪子 O=冷卻系統 G=油壓錶 | 6. Optional W=Wheel O=Cool system G=Pressure Gauge |

| 型號 Model Number | 轉速 Rpm | 噪音值 dBA at Idle and 700bar | 馬達 Motor kW (hp) | 安培 Amp at 700bar | 流量 Flow rate @230VAC(L/min) | | | 油箱 Oil tank (L) | 重量 Weight (with oil) (kg) |
|--------------------|-----------|-------------------------------|------------------------|---------------------|--------------------------------|-----------|-----------|-----------------------|------------------------------------|
| | | | | | 70 (bar) | 400 (bar) | 700 (bar) | | |
| SPE-23TQ | 2400 | 80 | 1.5 (2) | 13 /230V | 16 | 1.3 | 0.65 | 8 | 36.2 |