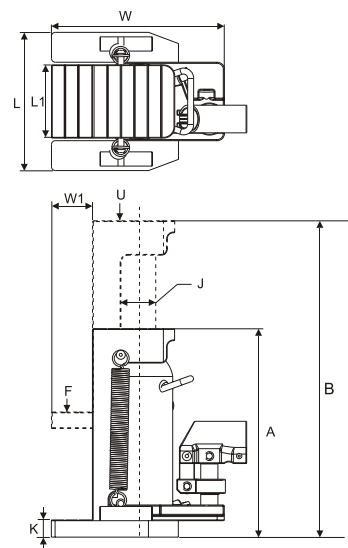


SHL 手動式油壓千斤頂附爪型

- 碳鋼底座，自動化焊接，品質穩定。
- 主軸採用合金鋼硬鉻處理，耐久不生銹。
- 適用於重機械校正水平用，及一般千斤頂無法使用的狹小場所。

Manual Hydraulic Bottle Jack with Toe-Lift

- ※ Carbon steel base with automatic welding makes stable quality.
- ※ Chrome plated plunger resists corrosion and extends life.
- ※ For heavy equipment lifting or check level with minimum available access.



| 型號 Model Number | 頂部荷重 Top Cap. U (ton) | 爪部荷重 Toe-Lift Cap. F (ton) | 揚程 Stroke (mm) | 本身高 Coll Height A (mm) | 伸長總高 Ext. Height B (mm) | 主軸直徑 Plunger Dia. J (mm) | 底座尺寸 Base Dimensions L x W (mm) | 爪高 Height K(mm) | 爪塊尺寸 Toe-Lift Base L1 x W1 (mm) | 總重 Weight (kg) |
|-----------------------|-----------------------------|-------------------------------------|----------------------|---------------------------------|----------------------------------|-----------------------------------|--|-----------------------|---------------------------------------|----------------------|
| SHL-05S | 5 | 2.5 | 110 | 230 | 340 | 32 | 152 X 200.5 | 16 | 78 X 47 | 8.5 |
| SHL-10S | 10 | 5 | 135 | 277 | 412 | 42 | 185 X 235 | 22 | 98 X 55 | 20.0 |
| SHL-10B | 10 | 5 | 75 | 211 | 286 | 42 | 220 X 238 | 22 | 130 X 52 | 18.15 |
| SHL-20S | 20 | 10 | 150 | 317 | 467 | 55 | 220 X 240 | 25 | 132 X 48 | 31.5 |
| SHL-20B | 20 | 10 | 73 | 239 | 312 | 55 | 220 X 242 | 25 | 132 X 46 | 24.9 |
| SHL-30S | 30 | 15 | 150 | 335 | 486 | 62 | 265 X 272 | 28 | 149 X 60 | 44.0 |
| SHL-50S | 50 | 25 | 150 | 370 | 520 | 85 | 340 X 354 | 40 | 190 X 75 | 88.5 |
| SHL-10P | 10 | 5 | 134 | 266 | 400 | 42 | 125 X 275 | 50 | 100 X 100 | 20.0 |
| SHL-10PH | 10 | 5 | 134 | 266 | 400 | 42 | 125 X 275 | 50 | 100 X 100 | 20.0 |



SLJM-10 油壓起道機

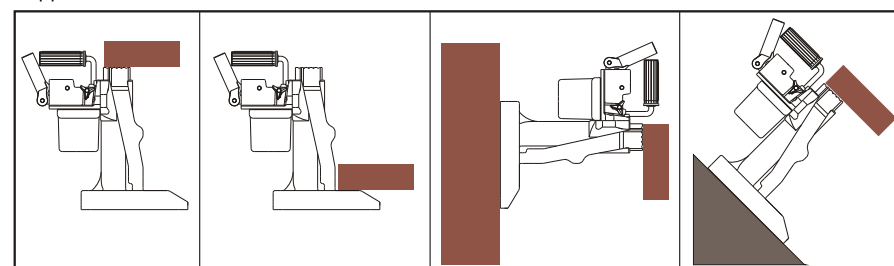
- 可獨立操作，高機動性。
- 低爪位。
- 最少施力，方便操作。
- 鋁合金本體，重量輕。

Lifting Jacks

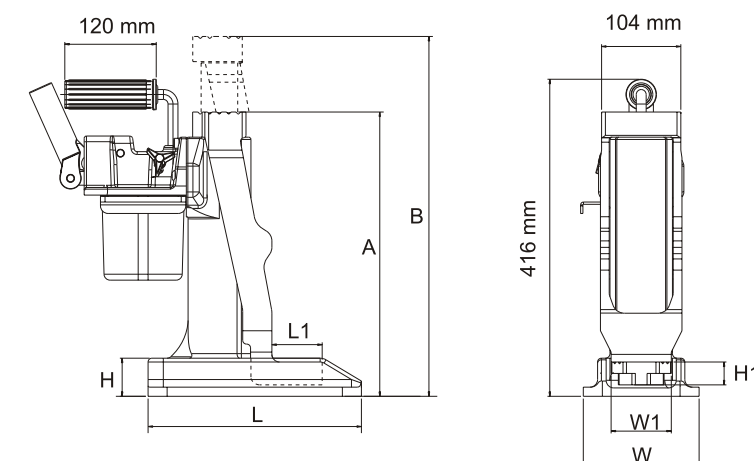
- ※ Self-contained models for maximum versatility.
- ※ Low toe heights fit in tight clearances.
- ※ The lowest handle effort for easy operation.
- ※ Alluminum body, the lowest weight for reduced back injuries.



適用性 Application



SLJM10-A04 強力爪塊 Strong Toe-Lift
優點：一體成型鑄造，耐荷重，不易變形、斷裂。
Advantage: Casting integral, heavy duty, not easily deformed and fracture.



| 型號 Model No. | 頂部荷重 Top cap. (ton) | 爪部荷重 Low Toe-Lift cap. (ton) | 揚程 Stroke (mm) | 本身高 Min. Height A (mm) | 伸長總高 Ext. Height B (mm) | 底座尺寸 Base Dimensions L x W x H (mm) | 頂爪尺寸 Top Toe-Lift Dimensions L1 x W1 x H1 (mm) | 總重 Weight (kg) | 使用壓力 working press Rang (bar) |
|-----------------|---------------------------|--|----------------------|---------------------------------|----------------------------------|--|---|----------------------|--|
| SLJM-10 | 10.0 | 8.5 | 225 | 373 | 598 | 280 x 152 x 50 | 66 x 79 x 30 | 19.5 | 560 |