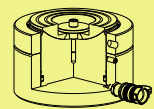


CSLP Series



Capacity:
60-520 ton

Stroke:
45-50 mm

Maximum Operating Pressure:
700 bar

CSLP 液壓單動，扁平鎖帽千斤頂

- 扁平設計適用於狹窄空間。
- 主軸及鎖帽特殊處理，防止長時間密合卡死。
- 安全鎖帽可於壓力釋放後維持支撐。
- 傾斜墊塊可減少偏荷載危險。
- 溢油孔可防止超揚程。
- 將到達全揚程時出現紅色警戒線。
- 垂直單動重力回縮。
- 表面粉體塗裝美觀抗腐蝕、防銹。
- 各型號均含SQB-3/8UF快速接頭及防塵蓋。

Single-Acting, Low Height, Lock Nut Cylinder

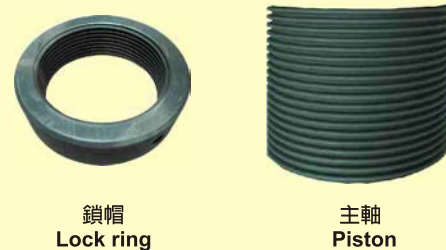
- ※Low height design for use in confined space.
- ※Special coating on thread piston and lock ring to prevent anti-seize over long period of time.
- ※Safety lock ring for mechanical load support even with hydraulic pressure released.
- ※Equipped with tilt saddle to minimize off center-load.
- ※Equipped with overflow port to prevent over stroke.
- ※Equipped with red indicate line to warn operator when cylinder reach full stroke.
- ※Load return type-for vertical lifting only.
- ※Powder coat finish for better corrosion resistance.
- ※All cylinders are equipped with SQB-3/8UF female coupler & dust cap.

	焊提把 Weldable
	吊環螺栓 Eyebolt
	活動提把 Removable strap handles
	螺牙式活動提把 Thread

提把型式 Handle type	
(S) : 標準配件 standard equipped	
(O) : 選配 option	
● 焊提把 Weldable	
★ 吊環螺栓 Eyebolt	
▲ 活動提把 Removable strap handles	
■ 螺牙式活動提把 Thread	

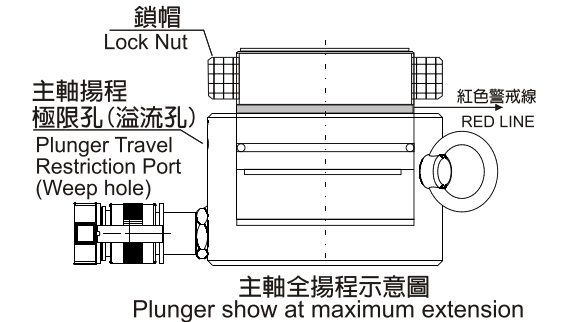
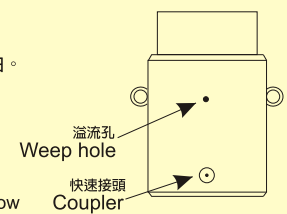


特殊潤滑處理 Special Lubricant Coating



適用於單動，高噸位千斤頂
CSLP, CSLL, CSLS 系列
到達揚程極限時，溢流孔流出液壓油。
藉此警告並保護主軸超揚昇。

Apply to Single-acting, High tonnage cyl. CSLP, CSLL and CSLS series
When stroke limit is reached; overflow port ("weep hole") spurt oil to prevents piston from being overextended.



墊塊/鞍座 Saddle

所有 CSLP-系列均配有整體性之傾斜墊塊以預防側荷重之危險。
All CSLP-Series come with tilt saddles to minimize off center-load damage.



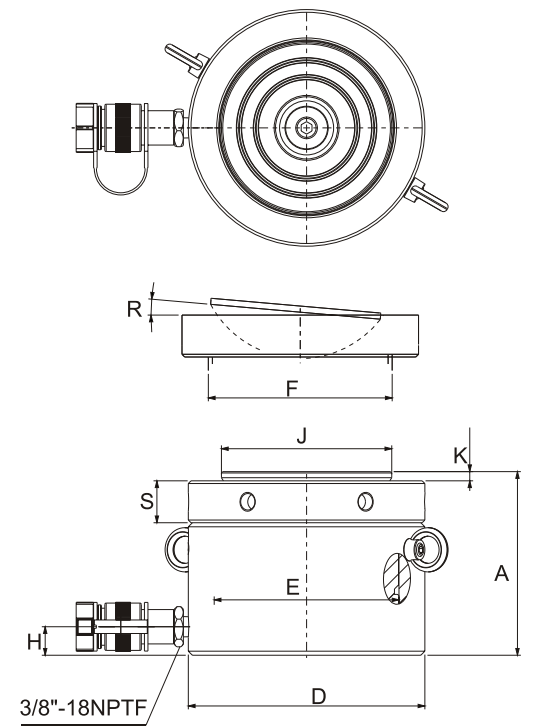
高揚程鎖帽千斤頂 Longer Stroke Lock Nut

請參考CSLL-系列。
For lock nut applications that require longer stroke lengths, see CSLL-Series.



控制閥 Control Valve

可搭配例如SV-82類的針閥來控制油壓缸上升和下降的速度(請參考SV-系列)
Fitting needle valve such as SV-82 is used to control cylinder speed during lifting and lowering. (See SV-Series)



提把型式 Handle type	型號 Model Number	外部尺寸 Outer Dimension					
		能力 Cylinder Capacity	揚程 Stroke	受壓面積 Cylinder Effective Area	總油量 Oil Capacity	本身高 Collapsed Height	伸長總高 Extended Height
(S)		ton (kN)	(mm)	(cm ²)	(cm ³)	A (mm)	(mm)
★	CSLP-602	60 (606)	50	86.6	432	125	175
★	CSLP-1002	100 (1027)	50	146.8	734	137	187
★	CSLP-1602	160 (1619)	45	231.3	1040	148	193
★	CSLP-2002	200 (1999)	45	285.6	1285	155	200
★	CSLP-2502	260 (2567)	45	366.8	1650	159	204
★	CSLP-4002	400 (3916)	45	559.5	2517	178	223
★	CSLP-5002	520 (5114)	45	730.6	3287	192	237

外部尺寸 Outer Dimension								
外徑 Outside Diameter	內徑 Cyl. Bore Diameter	主軸直徑 Plunger Diameter	底部前進油孔位置 Base to Advance Port	墊塊直徑 Saddle Diameter	凸出高度 Saddle Protrusion from Plngr.	墊塊最大傾斜角度 Saddle Max. Tilt Angle	鎖帽高度 Lock Nut Height	重量 Weight
D (mm)	E (mm)	F (mm)	H (mm)	J (mm)	K (mm)	R	S (mm)	(kg)
140	105.0	Tr104X4	19	96	6	5°	28	15
175	136.7	Tr136X6	21	126	8	5°	31	26
220	171.6	Tr171X6	27	160	9	5°	40	44
245	190.7	Tr190X6	30	180	10	5°	43	57
275	216.1	Tr216X6	32	200	11	5°	44	74
350	267.0	Tr266X6	39	250	11	4°	55	134
400	305.0	Tr305X6	48	290	10	3°	62	189