

## FSA Series

Minimum Bolt Siz:  
16-31.5 mm

Flange Wall Thickness:  
16-31.5 mm

Capacity:  
1-10 ton (10-90kN)

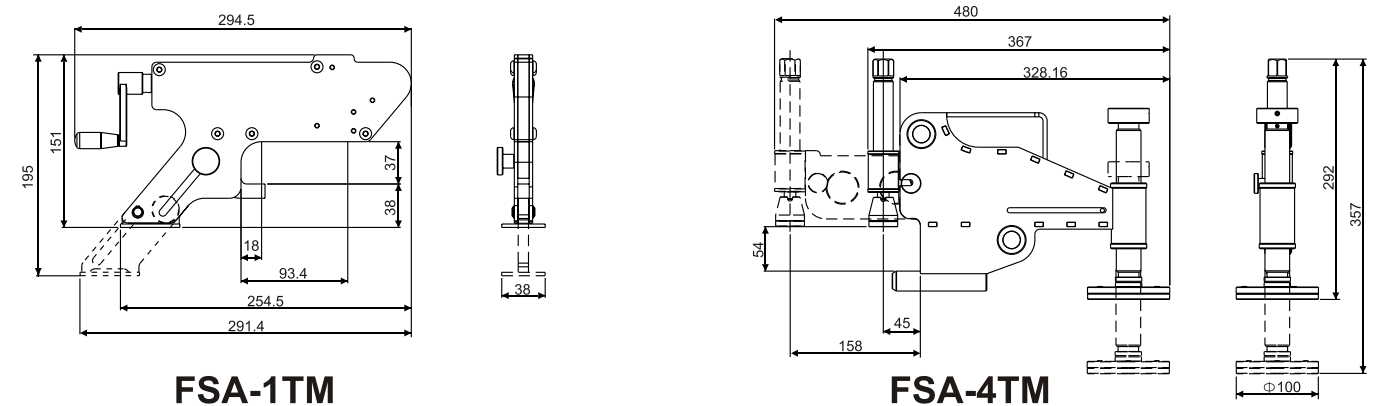
Maximum Operating Pressure:  
700 bar (Just for SFA-9TE)

## FSA 法蘭定心器

- 法蘭定心器適用於管路法蘭結或例行性維修的對位或重新校正。
- 附裝在法蘭錯位位置可提供簡便推拉動作使法蘭達到正確的對位。
- 定心器可在不需其他動力支援下安全、快速地矯正扭曲、旋轉錯位。
- 適用於大部份的 ANSI、API、BS及DIN規格法蘭。
- 不需吊索、吊勾或提升齒輪輔助。
- 可安裝或使用於任何方位(水平安裝或垂直安裝)
- 方便提攜、輕量的設計即使在外地也容易搬運使用。

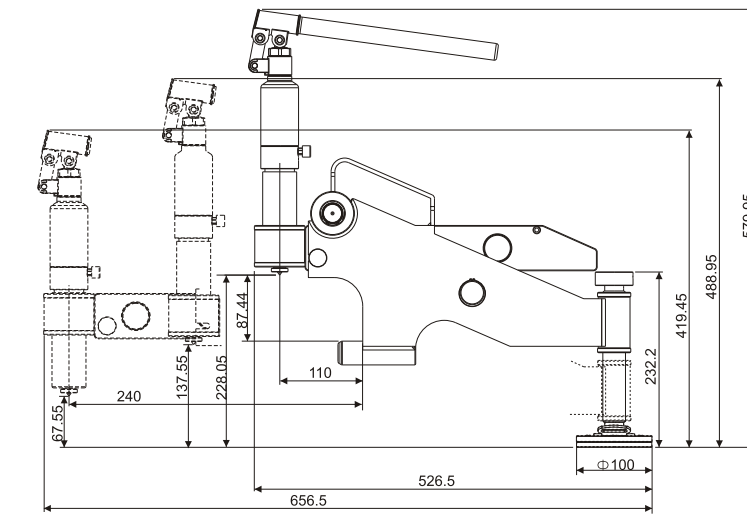
### Hydraulic Fixed Flange Alignment Tool

- ※The Flange Alignment tools can be used to align or re-align flange joints during pipework construction, commissioning or during routine maintenance.
- ※The tool is attached to the flange joint where misalignment is at its greatest and then simply push and pull the flanges into correct alignment (except SFA-9TE).
- ※The Flange Alignment tools rectify twist and rotational misalignment quickly, safely and without the need for an external power source.
- ※Appropriate for use on most ANSI, API, BS and DIN flanges.
- ※No slings, hooks or lifting gear required.
- ※Can be installed and used in any position (horizontally or vertically).
- ※Portable, lightweight design enables easy transport and use, even in remote locations.

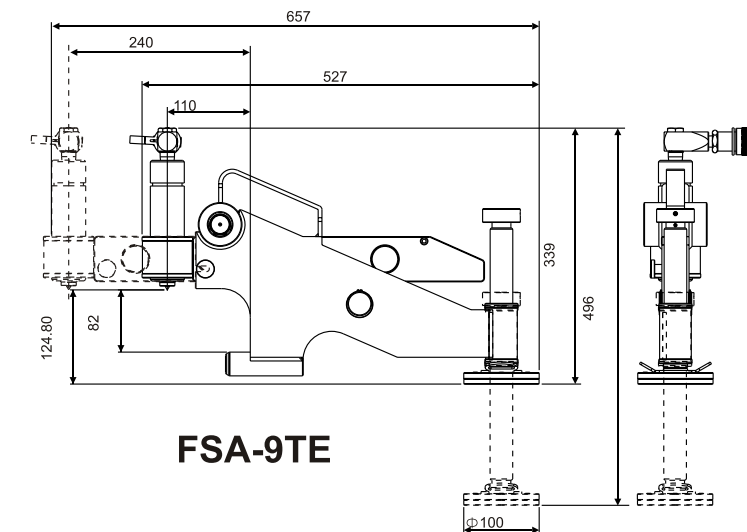


FSA-1TM

FSA-4TM

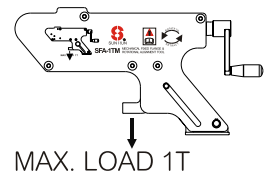
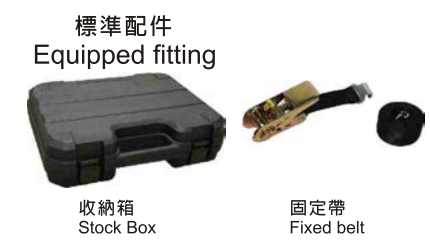


FSA-9TM



FSA-9TE

型號 Model Number	最大舉升力 Max. Lifting Force (kN/ ton)	最小螺栓尺寸 Min. Bolt Size (in/mm)	法蘭厚度(含法蘭墊片) Flange wall Thickness (including gap between flanges) (in/ mm)	重量 Wt. (kg)
FSA-1TM	10/ 1	0.63/ 16	0.55-3.29/ 14-82	2.0
FSA-4TM	40/ 4	0.95/ 24	1.18-5.23/ 30-133	8.6
FSA-9TM	90/ 10	1.24/ 31.5	3.66-9.00/ 93-228	16.5
FSA-9TE	90/ 10	1.24/ 31.5	3.66-9.00/ 93-228	16.5



FSA-1TM

適用於小型法蘭  
機械式固定法蘭定心器

For use on smaller diameter low pressure flanges.  
Mechanical Fixed Flange Alignment Tool.

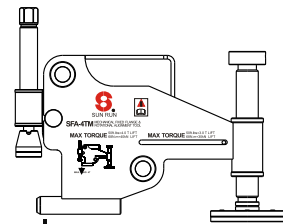
MAX. LOAD 1T



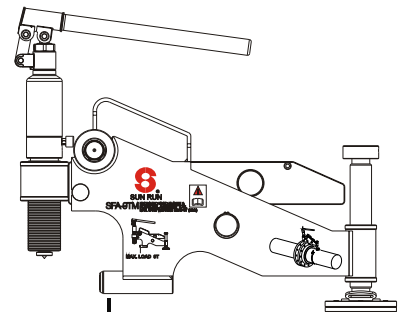
FSA-4TM

適用於中型法蘭  
機械式固定/ 旋轉法蘭定心器

For use on medium diameter, medium pressure flanges.  
Mechanical Fixed Flange and Rotational Alignment Tool.



MAX. LOAD 4T

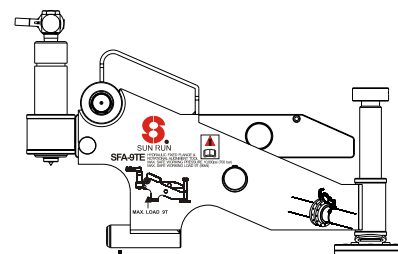


FSA-9TM

適用於大型法蘭  
機械式固定/ 旋轉法蘭定心器

For use on larger diameter, higher pressure flanges.  
Mechanical Fixed Flange and Rotational Alignment Tool.

MAX. LOAD 9T



FSA-9TE

適用於大型法蘭  
油壓式固定/ 旋轉法蘭定心器

For use on larger diameter, higher pressure flanges.  
Hydraulic Fixed Flange and Rotational Alignment Tool.

MAX. LOAD 9T

