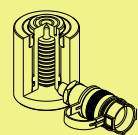


## RSCS Series



Capacity:  
**10-90 ton**

Stroke:  
**38-62 mm**

Maximum Operating Pressure:  
**700 bar**

## RSCS 液壓單動，低型千斤頂

- 質輕且基體低，但揚程要求較RSSM高時，適用此系列。
- 溝槽式主軸表面具螺牙孔便於安裝傾斜墊塊(選配)。
- 主軸及液壓缸內壁硬鉻處理耐磨、抗腐蝕。
- 強力彈簧加速主軸回縮速度。
- 防塵環減少污染物附著。
- 上螺帽保護主軸超揚昇。
- 表面粉體塗裝美觀抗腐蝕、防銹。
- 各型號均含SQB-3/8UF快速接頭及防塵蓋。

### Single-Acting, Low Height Cylinders

- ※Lightweight, low profile design for use in confined spaces, but stroke higher than RSSM.
- ※Grooved plunger end with threaded holes for mounting tilt saddles.
- ※Hard chrome plated plunger and inner of barrel resists wear and corrosion.
- ※Maximum sized springs speed piston return and increase spring life.
- ※Plunger wiper reduces contaminant.
- ※Stop ring for piston blow-out protection.
- ※Powder coat finish for increased corrosion resistance and antirust.
- ※SQB-3/8UF coupler and dust cap are included on all models.



RSCS-502 捷運系統同步實例應用  
RSCS-502 Rapid transit system  
Synchronous Lift application

### 油/液壓缸-動力單元(泵)組合

建議您基本安裝包含油壓缸、公/母快速接頭、油管、壓力錶、壓力錶接頭及驅動泵浦。

相關技術諮詢請和就近的SUN RUN 服務中心取得連繫。



### Hydraulic Cylinder and Pump Sets

Basic system set-up include cylinder, male/female coupler, hose, pressure gauge, gauge accessories and pump. Please connect SUN RUN office nearest to you for advice and technical assistance in the layout of your ideal.

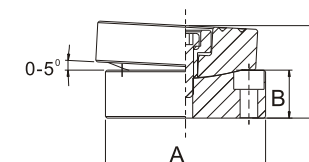
### 控制閥 Control Valve

可搭配例如SV-82類的針閥來控制油壓缸上升和下降的速度(請參考SV-系列)  
Fitting needle valve such as SV-82 is used to control cylinder speed during lifting and lowering. (See SV-Series)



### 選配傾斜墊塊/鞍座 Opt Tilt Saddle

RSCS-系列 均有主軸螺紋孔便於安裝傾斜墊塊。  
All RSCS-Series has plunger mounting holes for installation of tilt saddles.



### 選配螺絲傾斜墊塊尺寸 Optional Bolt Tilt Saddle Dimensions (mm)

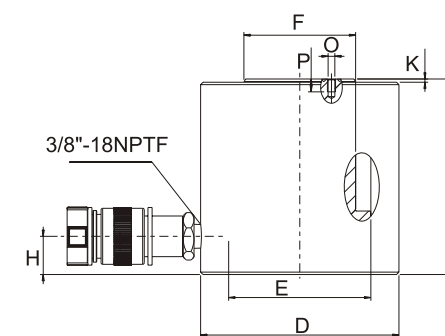
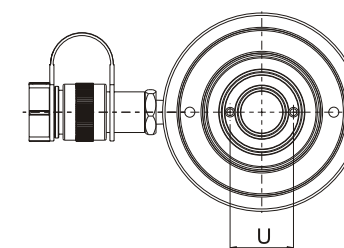
| 油壓缸<br>型號-能力<br>Cylinder<br>Model/Cap.<br>ton(kN) | 型號<br>Model Number | A  | B  | *C |
|---|--------------------|----|----|----|
| RSCS-101  | XKCATRSCS-10       | 35 | 11 | 21 |
| RSCS-201,302,502                                  | XKCATRSCS-20       | 50 | 15 | 29 |
| RSCS-1002   | XKCATRSCS-100      | 71 | 17 | 35 |

\*C尺寸為墊塊自主軸突出高度均附有底座螺絲

\*C dimension equals saddle protrusion from plunger. Mounting screws are included.

|  |                                 |
|--|---------------------------------|
|  | 焊提把<br>Weldable                 |
|  | 吊環螺絲<br>Eyebolt                 |
|  | 活動提把<br>Removable strap handles |
|  | 螺牙式活動提把<br>Thread               |

| 提把型式 Handle type               |
|--------------------------------|
| (S) : 標準配件 standard equipped   |
| (O) : 選配 option                |
| ● 焊提把 Weldable                 |
| ★ 吊環螺絲 Eyebolt                 |
| ▲ 活動提把 Removable strap handles |
| ■ 螺牙式活動提把 Thread               |



| 提把型式<br>Handle<br>type | 型號<br>Model<br>Number | 外部尺寸 Outer Dimension                  |                      |   |  |
|------------------------|-----------------------|---------------------------------------|----------------------|---|--|
|                        |                       | 能力<br>Cylinder<br>Capacity<br>ton(kN) | 揚程<br>Stroke<br>(mm) | 受壓面積<br>Cylinder<br>Effective<br>Area<br>(cm <sup>2</sup> ) | 總油量<br>Oil<br>Capacity<br>(cm <sup>3</sup> ) |
| (S)                    | RSCS-101              | 10(101)                               | 38                   | 14.5  | 55   |
|                        | RSCS-201              | 20(201)                               | 45                   | 28.7  | 129  |
|                        | RSCS-302              | 30(295)                               | 62                   | 42.1  | 261  |
| ●                      | RSCS-502              | 45(435)                               | 60                   | 62.1  | 373  |
| ●                      | RSCS-1002             | 90(887)                               | 57                   | 126.7   | 722  |
| ★                      | RSCS-2503             | 250(2309)                             | 76.2                 | 329.9   | 2468   |

| 型號<br>Model<br>Number | 外部尺寸 Outer Dimension       |                            |                           |                              |                          |                                      |  |           | 牙紋尺寸 Threads Dimension |                         |                        |
|-----------------------|----------------------------|----------------------------|---------------------------|------------------------------|--------------------------|--------------------------------------|--|-----------|------------------------|-------------------------|------------------------|
|                       | 本身高<br>Collapsed<br>Height | 伸長總高<br>Extended<br>Height | 外徑<br>Outside<br>Diameter | 內徑<br>Cylinder<br>Bore Diam. | 主軸直徑<br>Plunger<br>Diam. | 底部前進<br>油孔位置<br>Base to<br>Adv. Port | 凸出高度<br>Plunger<br>Protrusion<br>from Base | 總重<br>Wt. | 主軸螺紋<br>Thread         | 螺紋深度<br>Thread<br>Depth | 螺紋孔距<br>Bolt<br>Circle |
|                       | A (mm)                     | (mm)                       | D (mm)                    | E (mm)                       | F (mm)                   | H (mm)                               | K (mm)                                     | (kg)      | O (mm)                 | P (mm)                  | U (mm)                 |
| RSCS-101              | 88                         | 126                        | 69                        | 42.9                         | 38.1                     | 17                                   | 5  | 4.1       | M4                     | 8                       | 26                     |
| RSCS-201              | 98                         | 143                        | 92                        | 60.5                         | 50.8                     | 17                                   | 3  | 5.0       | M5                     | 8                       | 39                     |
| RSCS-302              | 117                        | 179                        | 101                       | 73.2                         | 66.5                     | 19                                   | 3  | 6.8       | M5                     | 8                       | 39                     |
| RSCS-502              | 122                        | 182                        | 124                       | 88.9                         | 69.8                     | 23                                   | 2  | 10.9      | M5                     | 8                       | 39                     |
| RSCS-1002             | 141                        | 198                        | 165                       | 127.0                        | 92.2                     | 31                                   | 1  | 22.7      | M8                     | 10                      | 55                     |
| RSCS-2503             | 290                        | 366                        | 257                       | 205.0                        | 139.7                    | 46                                   | 5  | 100.0     | -                      | -                       | -                      |