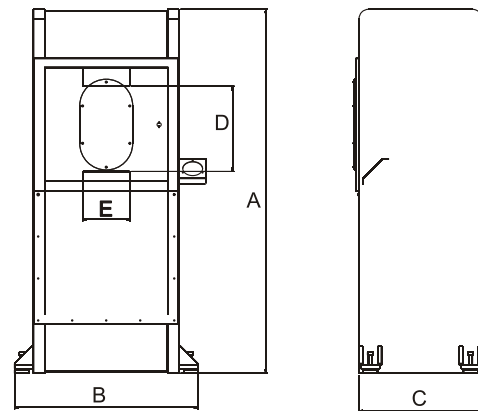


## STPM 大噸位油壓床

- 高強度結構、耐用度高，使用範圍廣泛。
- 強力電動動力馬達，耐荷重。
- 超行程保護裝置。
- 簡易照明設備及防爆目視窗口，操作便利。
- 可加裝排油煙霧裝置及依客製化設計。

### Hydraulic Heavy capacity Presses

- High strength structure and durable.
- Strong Electric power, High tonnage capacity.
- Safety valve protect over stroke.
- Simple illumination system and visual window for exploded-proof.
- Opt exhaust to remove oil smoke and designed by customer.

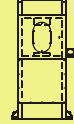


電動泵浦型號 Pump Model	馬達 Motor	油箱容量 Oil cap.
STPM-200E	3.7kW, 220V/ 380V ,50/60Hz,3ph	70L
STPM-300E	3.7kW, 220V/ 380V ,50/60Hz,3ph	70L
STPM-400E	7.5kW, 220V/ 380V ,50/60Hz,3ph	130L
STPM-500E	7.5kW, 220V/ 380V ,50/60Hz,3ph	150L
STPM-600E	7.5kW, 220V/ 380V ,50/60Hz,3ph	180L

壓床型號 Press Model Number	能力 Cap. ton(kN)	揚程 Stroke (mm)	泵浦 Pump	油壓缸型號 Cyl. Model	油壓面積 Eff. Area (cm <sup>2</sup> )	使用壓力 Operating Press. (bar)	工作檯面 Working Table @ ±0.1mm		外型尺寸 Press Dimensions (mm)				
							長 L (mm)	寬 W (mm)	A	B	C	D	E
STPM-RSR200	200(2318)	300	E	STPMRR-200	1103.9	210	490	470	1840	780	500	610	250
STPM-RSR300	300(2977)	300	E	STPMRR-300C	1384.7	210	520	490	1651	830	530	450	250
STPM-RSR400	400(3925)	300	E	STPMRR-400C	1962.5	210	610	640	1926	970	650	450	250
STPM-RSR500	500(4973)	275	E	STPMRR-500C	2550.5	210	650	680	2035	1030	680	510	250
STPM-RSR600	600(5935)	300	E	STPMRR-600C	2826.0	210	710	740	2180	1090	750	500	250

E：電動 Electric Pumps

## STPM Series



Capacity per Lifting point:  
**50-200 ton**

Max. Stroke:  
**300 mm**

Maximum Operating Pressure:  
**210 bar**

## PSC 同步舉昇系統

- 可同時監控4~64組荷重及揚程
- 單位油壓缸荷重能力可10~1000噸
- 全揚程精度高達1mm
- PLC控制單元，便於操作者使用
- 資料自動資料儲存
- 系統理想的安全設定

### Synchronous Lift System

- ※ 4 to 64 points, load and stroke monitored and controlled.
- ※ Capacities from 10 up to 1000 ton per lifting point.
- ※ Up to 1mm accuracy over full plunger stroke.
- ※ PLC-control unit with user-friendly touch screen.
- ※ Automatic data storage.
- ※ System secured with warning and stop features to achieve optimal safety.

#### 系統選配：

- 調整荷重及力量
- 力量調整精度高達0.1%
- 數位揚程感應器：
- 超過全揚程精度高達0.1mm
- 二點間或舉昇點間超過最大1km
- 雙傾斜軸心控制水平結構
- 油溫冷卻系統

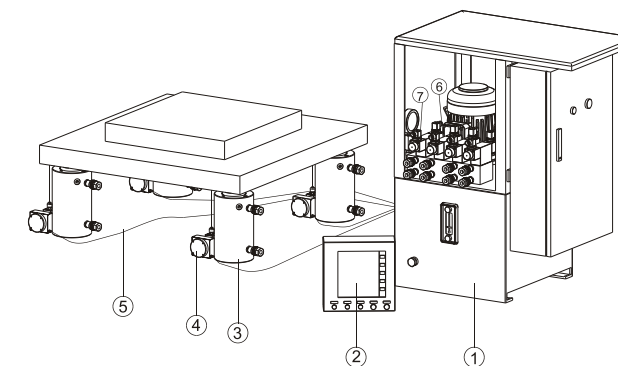
#### System Options:

- Load and force measurement.
- Load cell for precise force measurement up to 0.1% of full scale.
- Digital stroke sensors for:
- up to 0.1mm accuracy over full stroke.
- up to max. 1km distance between control unit and lifting points.
- Two-axis tilting control to level structures.
- Oil heater or heat exchange for extreme conditions.



- 1.液壓泵浦
- 2.PLC-控制螢幕
- 3.油壓缸
- 4.揚程感應器
- 5.感應器電線
- 6.電磁閥
- 7.壓力轉換器

- 1.Hydraulic Pump
- 2.PLC-control screen
- 3.Hydraulic Cylinder
- 4.Stroke sensors
- 5.Sensor cables
- 6.Solenoid control valves
- 7.Pressure transducer



產品裝置 Features	Basic 基本	Premium 選配
類比訊號揚程感應器 Analog stroke sensors	×	×
數位訊號揚程感應器 Digital stroke sensors	-	○
揚程控制器 Stroke controlled movement	×	×
荷重控制器 Load controlled movement	-	×
最大準確性(依據組套件) Max. Accuracy (depends on components)	±1.0mm	±0.1mm
能力記錄 Recording capabilities	-	×
圖表 Graphical representation	-	○
通訊能力 Intercommunication capabilities	-	○
感應線 Sensor cables	×	×

#### 基本 & 選配 系統管理 & 控制規格

X=標準, O=選配

Basic & Premium System Management & Control Features

X=Standard, O=Optional

警告裝置 Alarms	Basic 基本	Premium 選配
揚程極限 Stroke limitation	×	×
荷重極限 Load limitation	-	×
低油位 Low oil level	-	×
濾油器警告 Oil filter warning	-	×
油溫警告 Oil temperature warning	-	×

