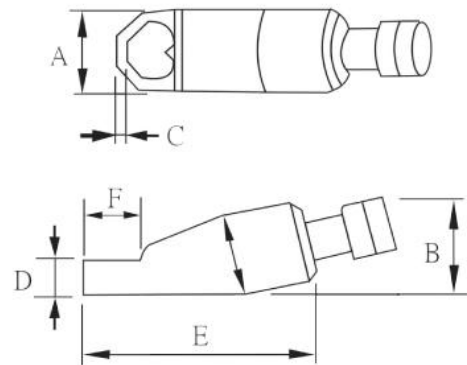


Separate Screw Nut Cutting Tool

- ◆ The main part is made of alloy steel. Lightweight design, easy to operate, not easy to be damaged.
- ◆ The alloy-steel-made on the edge of a blade can get rid of all kinds of none-hardness screw nuts.
- ◆ There are seven standard screw-nut-breaking tools available.
- ◆ Need to coordinate with hydraulic pump (power pump: CTE-25AS, hand pump: CP-700, or foot pump: CFP-800).



Item	Output (Ton)	Bolt Range (mm)	Hexagon Nut Range (mm)	Weight (Kg)	Sizes (mm)					
					A	B	C	D	E	F
CNC-1319	5	M6-M12	A/F 13-19	2.3	40	48	6	19	119	28
CNC-1924	10	M12-M16	A/F 19-24	2.3	55	71	8	25	153	38
CNC-2432	14	M16-M22	A/F 24-32	3.1	62	76	10	30	177	49
CNC-3241	20	M22-M27	A/F 32-41	5.1	76	90	15	35	212	63
CNC-4150	35	M27-M33	A/F 41-50	12	96	109	18	45	244	73
CNC-5060	50	M33-M39	A/F 50-60	12.5	106	128	21	54	298	88
CNC-6075	90	M39-M48	A/F 60-75	18.2	156	184	27	75	365	110