

SPM Series

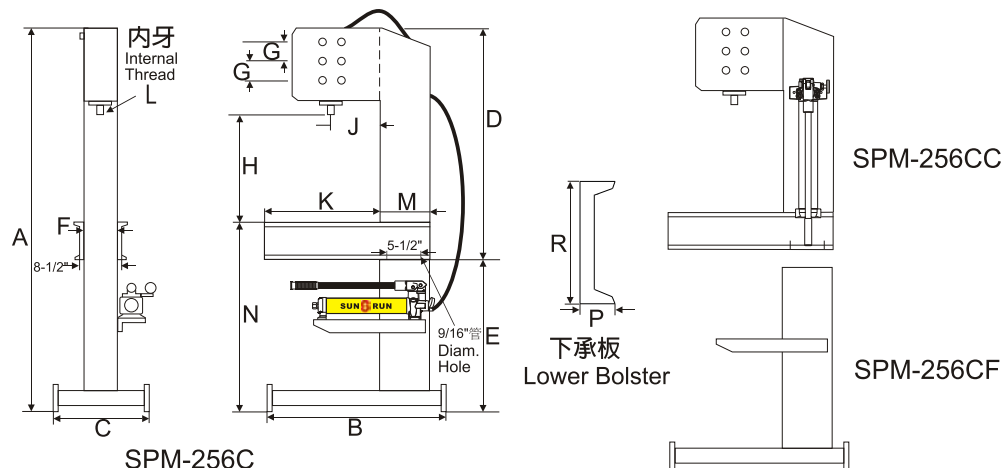
Capacity:	25 ton
Stroke:	158 mm
Maximum Operating Pressure:	700 bar

SPM C型油壓床

- 可單獨機台安裝或選配安裝基座。
- 單獨機台安裝面積至少0.46m²；選配機台基座只需0.12 m²面積。
- 開放式頸部設計更易取放工件。
- 油缸有三個調整高度，高達514mm的工作空間。
- 選配基座：SPM-256CF 含基座側面泵浦托架。重量34.5kg。

C Frame Shop Press

- ※ Can be bench mounted or on optional pedestal base.
- ※ Bench mount requires less than 0.46m² of space ; on optional pedestal, only 0.12 m² of floor space is needed.
- ※ "Open Throat" design makes loading and unloading of work easy.
- ※ Cylinder adjusts to three convenient working positions, providing up to 514mm of "daylight".
- ※ Pedestal Base : SPM-256CF Provides a bracket for mounting the pump on the side of pedestal press. Wt. 34.5kg.



SPM-256CC

SPM-256CF

下承板
Lower Bolster

外型尺寸

H-Frame Press Dimensions (mm)

A	B	C	D	E	F	G	H(Cyl. Retracted)	J	K	L	M	N	P	R	底座 Floor Space
1972	622	610	1057	914	152	127	260, 387, 514	165	318	1-1/2-16	203	1092	51	178	610*622

壓床型號 Model No.	油壓缸型號 Cylinder Model	能力 Cap. (tons)	油壓缸型式 Type of Cylinder Used	揚程 Stroke	速度 Speed(in./stroke)		泵浦 Pump type	重量 Weight (kg)
					前進 Advance	擠壓 Pressing		
SPM-256C	RSC-256	25	Single-Acting	158mm	0.129	0.03	Hand	109

標準液壓手動泵浦 (詳見型錄SPH系列)
Equipped with Hydraulic Manual Pump (reference SPH series)

型號 Model No.	有效油量 Usable Oil Capacity (cm ³)	輸出壓力 Pressure Rating (psi)/(bar)		輸出油量 Oil Displacement per Stroke (cm ³)		行程 Piston Stroke (mm)	最大使用壓力 Max. Pressure (psi)/(bar)
		1 st stage	2 nd stage	1 st stage	2 nd stage		
SPH-1200	1200	14	700	12.5	2.8	19	10,000(700)

選配液壓電動泵浦 (詳見型錄SPE-3000系列)
Opt Hydraulic Electric Pump (reference SPE-3000 series)

型號 Model No.	馬達 Motor	輸出壓力 Pressure Rating (psi)/(bar)		輸出油量 Output flow rate (L/min)		最大使用壓力 Max. Pressure (psi)/(bar)
		1 st stage	2 nd stage	1 st stage	2 nd stage	
SPE-3000	0.5hp	200(14)	10,000(700)	4	0.4	10,000(700)



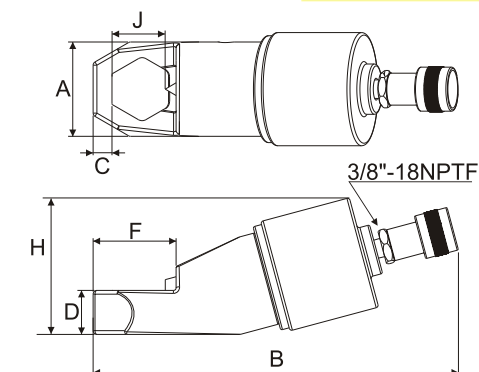
NSC 螺帽破壞器

- 特殊設計工具鋼刀可精確劈開螺母至某一部份而不至損壞螺牙。
- 適用性廣泛，包括卡車維修、管路工程、槽罐清理、石化工業、鋼鐵建築、採礦..等。
- 可重新研磨重型刀頭。
- 單動，彈簧回縮油壓缸。
- 頭部特殊角度，適用各作業。
- 整體的設計，使用方便。

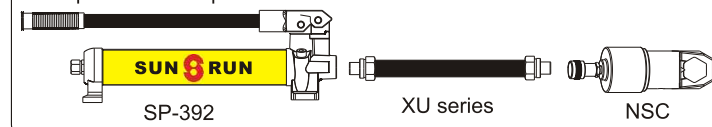


Hydraulic Nut Splitter

- ※ Specially designed "tool steel" cutter blade penetrates the nut to the precise point where it cracks, stopping short of the bolt threads.
- ※ Applications include servicing trucks, piping industry, tank cleaning, petrochemical, steel construction and mining.
- ※ Heavy-duty chisels can be reground.
- ※ Sing-acting, spring return cylinder.
- ※ Unique angled head allows flush access.
- ※ Compact and ergonomic design, easy to use.



螺帽破壞器組-建議選配
Nut Splitters Sets-Opt



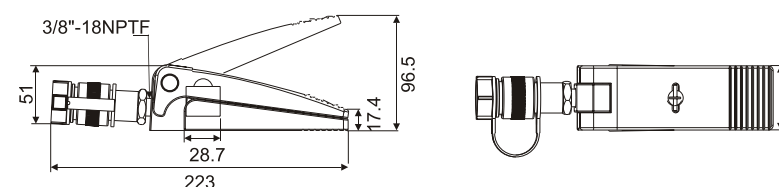
型號 Model No.	六角螺帽 Hex. Nut Range		螺栓 Bolt Range		能力 Capacity (ton)	總油量 Oil Capacity (cm ³)	尺寸 Dimensions(mm)						重量 Weight (kg)	
	(in)	(mm)	(in)	(mm)			A	B	C	D	F	H		J
NSC-1319	0.50-0.75	10-19	0.31-0.50	M6-M12	5	15	40	200	6	19	28	48	21	1.1
NSC-1924	0.75-0.94	19-24	0.50-0.63	M12-M16	10	20	55	227	8	25	38	71	25	2.0
NSC-2432	0.94-1.13	24-32	0.63-0.88	M16-M22	15	60	66	260	10	31	49	76	33	3.4
NSC-3241	1.13-1.56	32-41	0.88-1.13	M22-M27	20	80	75	286	15	35	56	89	43	5.8
NSC-4150	1.56-2.00	41-50	1.13-1.38	M27-M33	35	155	96	325	21	45	73	109	54	11.7
NSC-5060	2.00-2.25	50-60	1.38-1.50	M33-M39	50	240	106	366	27	54	92	126	60	15.4
NSC-6075	2.38-2.88	60-75	1.50-1.88	M39-M48	90	492	156	366	27	75	110	180	78	38.9

WSR 楔型撐開器

- 單動彈簧回縮。
- 適用於工作空間非常狹小環境。

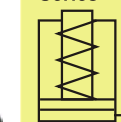
Hydraulic Wedgie and Spread Cylinder

- ※ Single-acting, spring return.
- ※ For use in very confined work areas.



油壓缸荷重 Cylinder Capacity (ton/kN)	型號 Model Number	尖端空隙 Tip clearance (mm)	最大撐開 Maximum Spread (mm)	油缸受壓面積 Cylinder Eff. Area (cm ²)	總油量 Oil Capacity (cm ³)	重量 Weight (kg)
1(8.9)	WSR-1	17.4	96.5	6.5	10	2.3

NSC Series



Capacity:	5-90 ton
Bolt Range:	M6-M48
Hex. Nut Range:	10-75 mm
Maximum Operating Pressure:	700 bar

WSR-1 Series

Capacity:	1ton
Tip Clearance:	17.4mm
Maximum Spread:	96.5mm
Maximum Operating Pressure:	700 bar